

- 8 Re-attach the infrared sensor lead and the cover (Figure 6).
This is the reversal of steps 6a), 6b) and 6c).
- 9 Once installation is complete, connect to the mains and switch on the power.

Usage

The hand dryer will function when the infrared sensor detects movement up to 110mm* away. The dryer will provide approx 35 seconds drying time and will stop 3 seconds after hands are removed from sensor range.

As a safety precaution, the blower will stop after 1 minute of continuous use. Reactivating the sensor will restart the blower.

** The sensitivity of the infrared sensor may be altered on installation by turning the adjustor clockwise (+) or anti-clockwise (-) as shown below.*

Accessories included

- Installation template
- Fixing pack; includes:
1 Allen key;
4 x Ø8mm wall plugs and
4 x screws
- Installation and operating manual

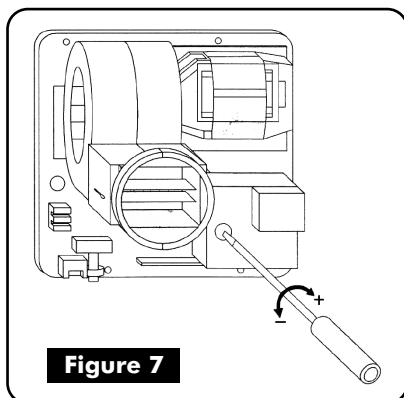



Figure 7

Specification

RATINGS: 2400W; 220-240V ~50Hz 

AIR SPEED: 22m/s;

BLOWING VOLUME: 210m³/hr;

AIR OUTLET: adjustable through 360°;



Waste electrical products should not be disposed of with household waste. Please recycle where facilities exist. Check with your local authority or retailer for recycling advice.

HS4810WA + HS4810CA Hand Dryers Installation and Operating Instructions



IMPORTANT SAFEGUARDS

WHEN USING ANY ELECTRICAL APPLIANCE, BASIC SAFETY PRECAUTIONS SHOULD ALWAYS BE FOLLOWED.

PLEASE READ ALL INSTRUCTIONS CAREFULLY AND RETAIN FOR FUTURE REFERENCE

IF IN ANY DOUBT ABOUT THE INSTALLATION OR USE OF THIS PRODUCT, CONSULT A COMPETENT ELECTRICIAN.

HEATSTORE

Telephone: **0117 923 5375** Fax: **0117 923 5374**

Victoria Road, Avonmouth, Bristol BS11 9DB

www.heatstore.co.uk

Figure 1

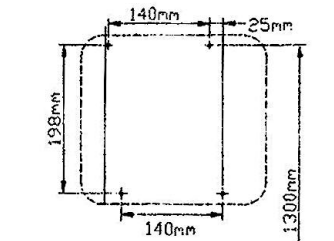


Figure 2

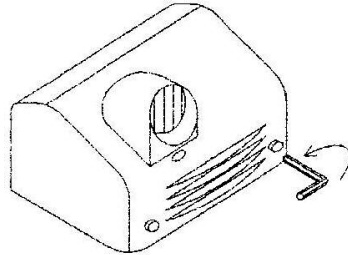


Figure 3

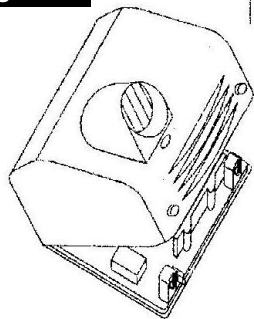


Figure 4

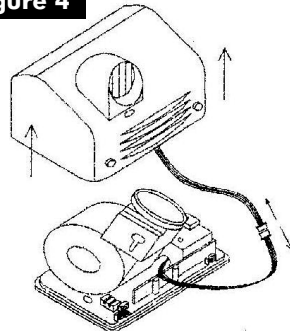


Figure 5

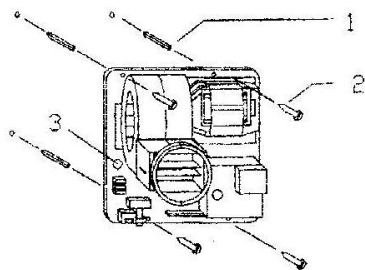
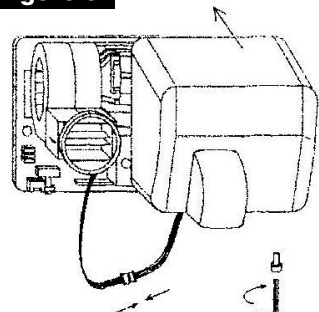


Figure 6



The HS4810WA and HS4810CA are robust, vandal resistant 2.4Kw automatic hand driers.

Available with either a white porcelain enamelled coating or chrome plated finish, and offering powerful operation, they come complete with a two-year exchange warranty and fixing kit.

WARNING

- **This product must be installed out of reach from a sink or bath (Zone 3).**
- **Avoid direct contact with water.**
- **If the unit is damaged or malfunctions, immediately disconnect from the mains supply.**

Installation

- 1 The electrical installation should conform to the current edition of the IEE wiring regulations.
- 2 Ensure that the unit is properly earthed and separately fused with a suitably rated fuse.
- 3 Also ensure that the unit is connected to the mains supply via a double pole switch having a contact separation of at least 3mm.
- 4 Care should be taken that single insulated conductors cannot come into contact with the mounting surface.
- 5 Use the installation template supplied (Figure 1) to position and drill the 4 holes (Ø8mm, 35mm deep)
- 6 Disconnect the cover (Figures 2-4);
 - a) Remove the two bolts using the allen key supplied (Figure 2);
 - b) Lift the cover up and away from the base taking care of the connected leads (Figure 3);
 - c) Disconnect the infrared sensor lead (Figure 4).
- 7 Fix the base unit to the wall using the wall plugs and screws supplied (Figure 5).

