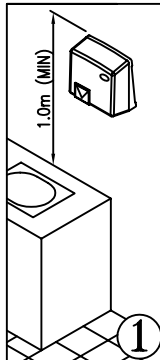
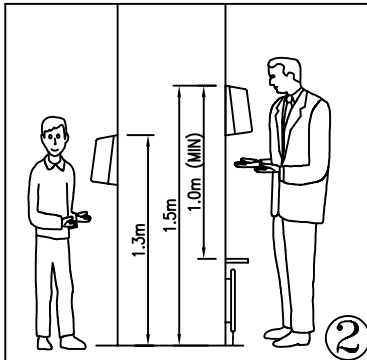


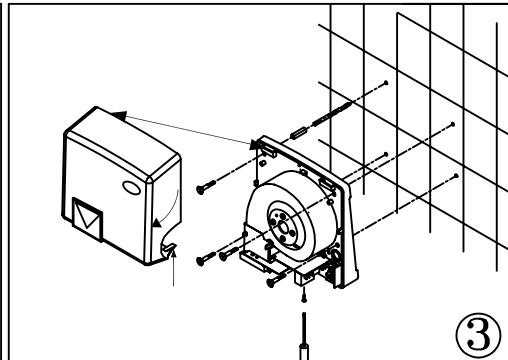
2000 SERIES



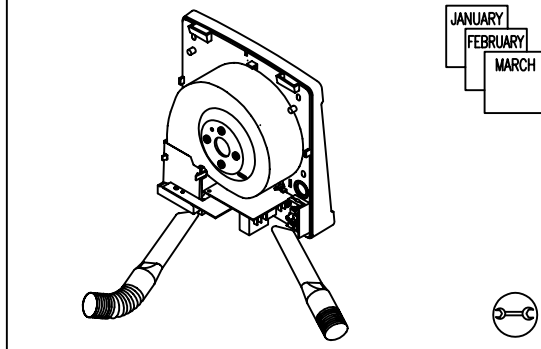
1.0m (MIN)



1.3m
1.5m
1.0m (MIN)



3



JANUARY
FEBRUARY
MARCH

ALWAYS ENSURE THAT THE INSTALLATION CONFORMS TO THE CURRENT EDITION OF THE IEE WIRING REGULATIONS. IN PARTICULAR ENSURE THAT THE UNIT IS SEPARATELY FUSED WITH A SUITABLY RATED FUSE. ALSO ENSURE THAT IT IS CONNECTED TO THE SUPPLY VIA A DOUBLE POLE SWITCH HAVING A CONTACT SEPARATION OF AT LEAST 3mm. CARE SHOULD BE TAKEN THAT SINGLE INSULATED CONDUCTORS CANNOT COME INTO CONTACT WITH THE MOUNTING SURFACE.

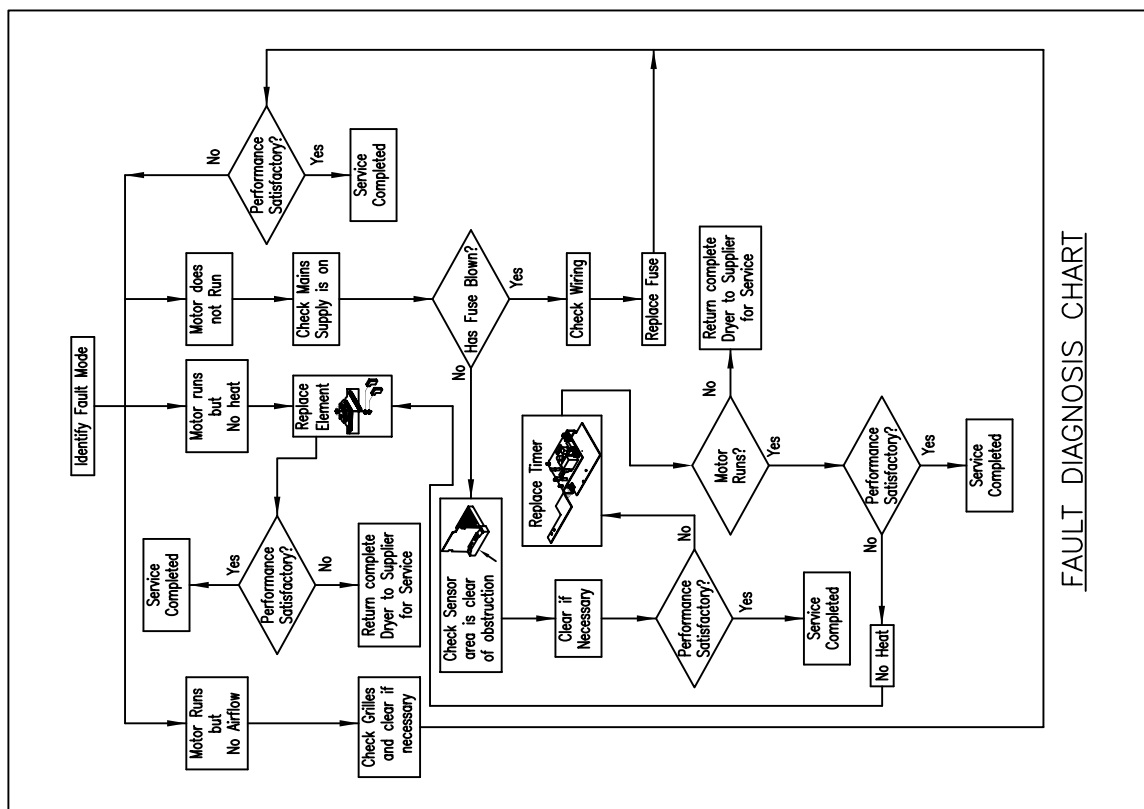
AFTER INSTALLATION OR SERVICING, UNITS MUST BE CHECKED AND ONLY LEFT WHEN ELECTRICALLY AND MECHANICALLY SAFE.


When ordering replacement modules always quote SERIAL NO., MODEL, ELECTRICAL SUPPLY VOLTAGE AND FREQUENCY.

Guarantee
The hand dryer is Guaranteed for five years from the date of purchase against faulty materials or workmanship.
In the event of any part being found to be defective, the hand dryer will be repaired, or at the Manufacturers option replaced, without charge, provided that the hand dryer:
a) has been installed and used in accordance with the instructions given with each unit.
b) has not been connected to an unsuitable electrical supply. (Correct electricity supply requirements are stated on the units rating label).
c) has not been subjected to mis-use, neglect or damage.
d) has been properly serviced in accordance with the instructions given with each unit.
e) has not been modified or repaired by any person not authorised by the Manufacturer.
This guarantee excludes labour after an initial 12 month period.

THIS UNIT MUST ONLY BE FITTED BY QUALIFIED PERSONNEL.

2724-097 ISSUE 1



This drawing/document is COPYRIGHT and the property of VENT-AXIA Ltd. It must not be copied (in whole or in part), used for manufacture or otherwise disclosed without prior written consent of the company. Any copies of this drawing/document made by any method must also include a copy of this legend. © VENT-AXIA Ltd. 1998	LOG REF No 276	I 2424	H 1676	21.04.06	S.R.A.
	2724-097	ISS	MOD	DATE	CHK'D
GENERAL TOLERANCE UNLESS STATED:--	mm	DRAWN DAW	DATE 30.5.95	CHK'D P.L.H.	DATE 30.5.95
GENERAL WALL THICKNESS UNLESS STATED:--	mm	PRODUCT	MATERIAL 80g WHITE BOND		
INTERNAL EDGES AND CORNERS TO BE BROKEN:--	mm	FINISH --		TITLE INSTRUCTION LEAFLET	
EXTERNAL EDGES AND CORNERS TO BE BROKEN:--	mm	GENERAL DRAFT ANGLE UNLESS STATED:--		DRG 421329	
UNDIMENSIONED RADII TO BE:--	mm	 CRAWLEY, SUSSEX.		SCALE 1	