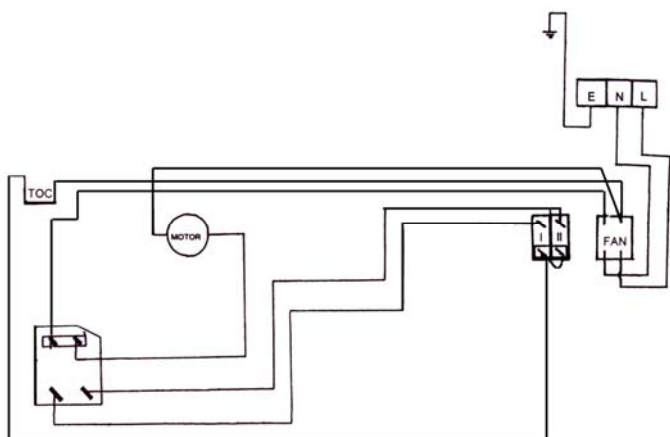
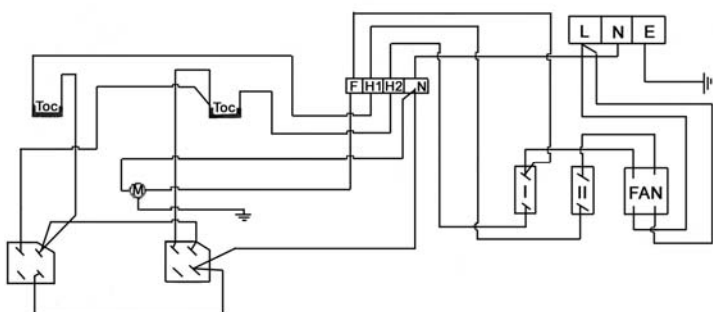




**NOTE: The HSAC4500N is suitable for remote control operation, with the use of remote control switch part no. HSRCU**



**Fig 2 WIRING DIAGRAM HSAC3000N & HSAC300SS**



**Fig 3 WIRING DIAGRAM HSAC4500N**

For safety reasons a sound earth connection must always be made to the unit before it is put to use. The unit should be wired in accordance with IEE Regulations for the Electrical Equipment of Buildings.

**NOTE: The unit MUST be reliably earthed.**

## OPERATION

The right hand switch connects the mains supply to the fan motor (giving a cool airflow) and energises the heat control switches.

### HEAT CONTROL (Models HSAC3000N & 300SS)

When the centre switch (marked with a single dot) is depressed the heat output is 1kW. When the left-hand switch (marked with two dots) is depressed the heat output is 2kW. When both switches are depressed the heat output is 3kW.

### HEAT CONTROL (Model HSAC4500N)

When the centre switch (marked with a single dot) is depressed the heat output is 1.5kW. When the left-hand switch (marked with two dots) is depressed the heat output is 3kW. When both switches are depressed the heat output is 4.5kW.

## MAINTENANCE

Always ensure that the main external electricity supply is switched off before attending to the servicing of your Heatstore Warm Air Curtain.

To obtain best results from your heater it is necessary to avoid the build up of dust and dirt within the unit and on the air inlet and discharge grills. For this reason regular cleaning is necessary, paying particular attention to the removal of dirt build up on the rotor blades. A single drop of light oil should be applied to the motor bearing from time to time.

## PROTECTION (Thermal Cut-out)

The units are protected in the event of fan failure, or an obstruction of the free airflow, by thermal PTC Self Hold Cut-outs. Having tripped, the PTC cut-out remains open, effectively switching off the heating elements, as long as mains power is available inside the appliance.

### TO RESET THE PTC SELF-HOLD CUT-OUT DO NOT ADJUST BY HAND ANY COMPONENTS

- The cut-out is reset by switching OFF mains power to the appliance.
- Allow the appliance to cool for 20 minutes.
- Restart, switch ON the appliance. If the cut-out trips again a qualified electrician should be consulted.

## TO REPLACE A SWITCH

### HSAC3000N & HSAC300SS models:

- Remove the top cover.
- Remove the push-on connectors, noting their position.
- Remove a switch by compressing the plastic retaining tabs at the switch rear and pushing the switch out through the front grille.
- Insert a new switch. Refit the push-on connectors in the correct order. Test and reassemble.

### HSAC4500N model:

- Remove the top cover.
- Release switch bracket by removing its two screws.
- Remove the push-on connectors and screw termination leads, noting their position.
- Remove a switch by compressing the plastic retaining tabs, push the switch out through the bracket.
- Insert a new switch. Refit the leads in the correct order. Refit switch bracket. Test and reassemble.

## TO REPLACE THE FAN HEATER ASSEMBLY

- Remove the top cover.
- Remove the internal leading from heat exchanger and motor to either switches or terminal block, noting their position.
- Release the fan heater assembly holding nuts. Lift out the old assembly and replace with the new unit. Secure the new unit by refitting the nuts.
- Refit the leads in the correct order. Test and replace cover.

## SPARES

It is essential when ordering spares or replacement parts to state the model number and the serial number on the rating plate fixed to the top of the unit.

In the interest of progress the Company reserve the right to vary specifications from time to time without notice. The material listed is offered subject to the Company's General Conditions of Sale, a copy of which can be obtained on request.

**NOTE: DO NOT COVER any of the air inlet or outlet grills, at any time.**