

Technical specification

SUPPLY VOLTAGE: 230V-240V~50Hz; must be earthed

LAMP: 2 x 15W T8 fluorescent tube; Non Dimmable

STARTER: Electronic Ballast

SOCKET OUTLET: Transformer Isolated 20VA 230V and 115V shaver sockets

TEMPERATURE RANGE: 0°C to 40°C; indoor use only

PROTECTION AGAINST ELECTRIC SHOCK: Safety Class I

IP44; Suitable for mounting in bathroom Zone 2 above a sink.

Not suitable for use within 60cm of a shower

DIMENSIONS: (W) 670mm (H) 600mm (D) 110mm

COMPLIANCE: EN60598, EN60742, EN55015, EN61547



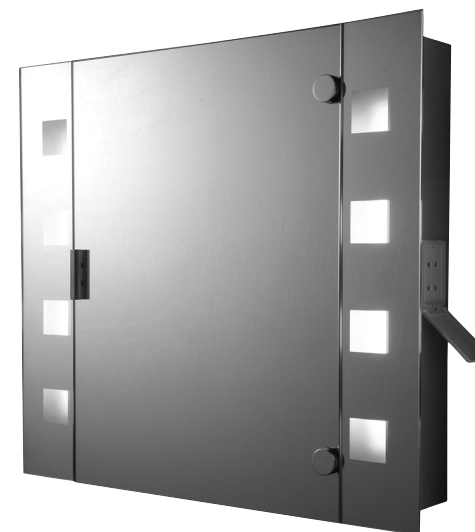
REFLECTIONS
REFLECTIONS

 **HEATSTORE**

Telephone: **0117 923 5375** Fax: **0117 923 5374**
Unit A, Avon Riverside Estate, Victoria Road, Avonmouth,
Bristol BS11 9FB www.heatstore.co.uk

HSMCL670 Mirror Cabinet with Shaver Socket

Operating and Installation Instructions



REFLECTIONS
REFLECTIONS

IMPORTANT SAFEGUARDS

**WHEN USING ANY ELECTRICAL APPLIANCE, BASIC SAFETY
PRECAUTIONS SHOULD ALWAYS BE FOLLOWED.**

**PLEASE READ ALL INSTRUCTIONS CAREFULLY
AND RETAIN FOR FUTURE REFERENCE**

**IF IN ANY DOUBT ABOUT THE INSTALLATION OR USE OF THIS
PRODUCT, CONSULT A COMPETENT ELECTRICIAN.**

 **HEATSTORE**

HSMCL670 Mirror cabinet with 15W T8 energy efficient fluorescent lamps with pull cord. Multifunctional-works as a mirror, shaver socket, cabinet, light and night-light. The transformer is not powered until switched on by insertion of plug into socket, and protected against overload with an integral fuse.

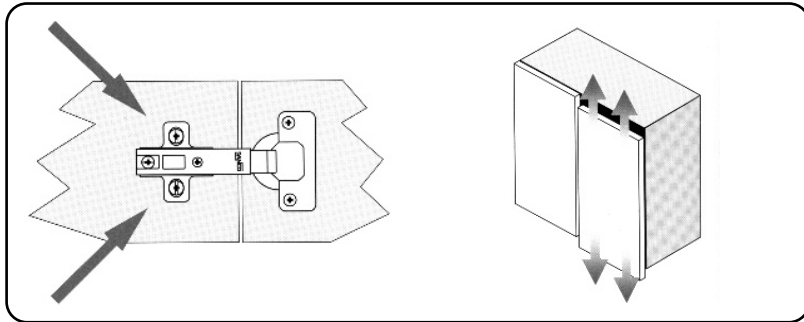


Figure 1

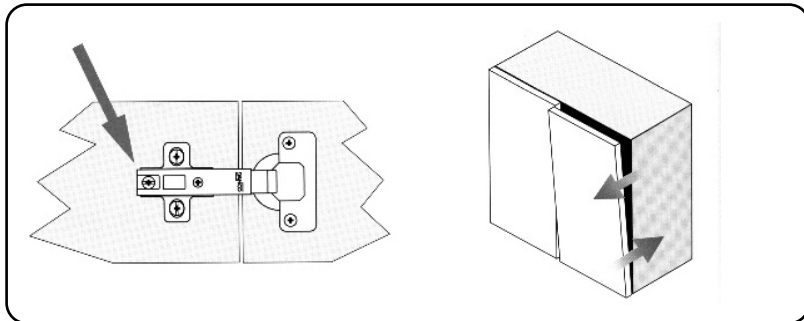


Figure 2

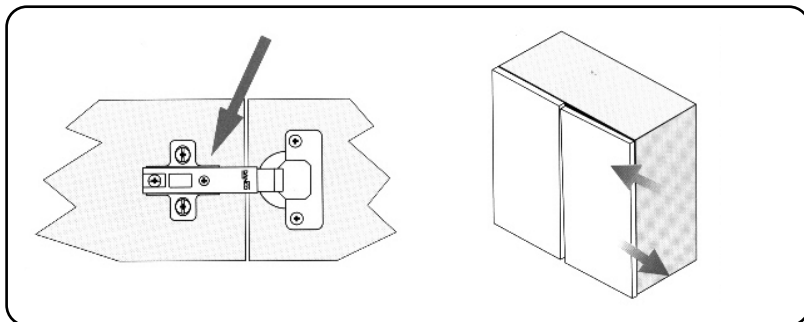


Figure 3

Installation

- 1 Ensure mains supply is switched off before undertaking any installation or maintenance work. Ensure that the wall is dry before fitting mirror.
- 2 Cabinet is symmetric and can be hung so that the door can open to the left and right. This cabinet must be mounted directly to the wall with lamps vertical.
- 3 Before drilling fixing holes, establish the direction of buried cables so that damage to concealed building wiring can be avoided.
- 4 Remove side mirror strips and florescent tubes to access side fixing points. Before fixing remove shelves and hangers, leave aside. Power cable entry points are provided from behind, from top and bottom.
- 5 Drill appropriate wall fixing holes. The mains terminal block is located at the back of the lamp compartment. Thread wires through entry, fix the fitting securely to the wall, connect brown (or red) wire to L terminal, blue (or black) to N terminal and green/yellow to earth terminal.
- 6 Replace florescent tubes and side mirror strips. Use pull cord to check lamp operation.
- 7 Check alignment of door.
See Figures 1,2 and 3 (opposite) for door adjustment.
- 8 Check function of magic (magnetic) door catch. Door catch can be adjusted slightly by loosening fixing screws and repositioning.
- 9 Position shelf supports at desired height and hand tighten, place glass shelves on these

Maintenance

Replace failed tubes promptly. Failure to do so can result in premature control gear failure.

A tube has reached the end of it's economic life when it fails to strike, flickers very noticeably or flashes on and off in normal use.

REFLECTIONS
BE REFLECTIONS