



Avon Riverside, Victoria Road, Avonmouth, Bristol BS11 9DB
Telephone: 0117 923 5375 Fax: 0117 923 5374

INSTALLATION, OPERATION and MAINTENANCE INSTRUCTIONS for
RECESSED WARM AIR CEILING HEATER
FOR WIRELESS ELECTRONIC CONTROLS
CATALOGUE NUMBER HSRCH3000W

RETAIN THIS LEAFLET FOR FUTURE MAINTENANCE

The Heatstore recessed ceiling heater is designed to fit in place of a standard 600 mm ceiling panel. It is supplied complete with a remote mounting control box.

IT IS ESSENTIAL THAT THE CEILING FRAME IS ADEQUATELY SUPPORTED TO SUPPORT THE WEIGHT OF THE HEATER, OR THAT THE HEATER IS INDIVIDUALLY SUPPORTED. THERE IS PROVISION ON THE HEATER FOR CHAIN OR WIRE, SUPPORT OR MOUNTING.

NB: Weight of HSRCH3000W: 14 Kg

INSTALLATION

Carefully unpack the unit and control box. The unit is supplied with a length of self-adhesive foam strip. This can be cut into lengths and is to be laid on the 4 sides of the ceiling frame (see Fig 3). This will ensure that the unit assembly is free from vibration. The discharge grille and diffuser assembly can now be fitted into the ceiling frame (see fig 3).

CONNECTION TO THE MAIN SUPPLY

This unit is suitable for connection to 230/240V 50Hz supplies.

The HSRCH3000W has a heating load of 3 kW.

The unit must be wired in accordance with IEE regulations for the Electrical Equipment of Buildings and the installer should ensure that a suitable isolating switch is connected in the mains supply.

Fig. 2 shows wiring diagram.

The electrical connections are accessible so that the unit can be wired in site (see Fig 1).

OPERATION

This heater can only be used when connected to a HSCTRLW wireless programmable timer. Each HSCTRLW can control any number of heaters. The heater has an indicator light positioned behind the fascia panel on the top right side. The light may be:

- | | | |
|-------------------|---|---|
| Green | - | when no heat is needed |
| Yellow | - | when some heat is needed to maintain the room temperature |
| Red | - | when the heater is on full power |
| Fast Flashing Red | - | when the heater has overheated and the Electronic Safety Control has switched the heater off. |

Please refer to the HSCTRLW user and operating instructions for full operational details.

MOUNTING

The fan heater box can only be fitted one way round (see Fig.1), as 2 of the studs are offset. This ensures that the fan outlet lines up with the discharge grille and also that the wiring is always sighted the same side.

The diffuser is attached to the discharge grille with 4 small clips, which can be removed if necessary.

The discharge grille has 4 additional studs, plus nuts/washer, to enable the unit to be chain mounted, if required.

There are also extra holes in the box to enable the unit to be suspended via wires.

MAINTENANCE

ALWAYS ENSURE THAT THE MAIN EXTERNAL ELECTRICITY SUPPLY IS SWITCHED OFF BEFORE SERVICING THIS HEATER.

To obtain the best results from the heater, it is essential to avoid the accumulation of dust and dirt within the unit on the air inlet and discharge grilles. Regular cleaning is necessary with particular attention to the removal of any dirt on the fan rotor blades. Cleaning of the fan is best carried out with a soft brush.

ELECTRONIC SAFETY CONTROL

The appliance is fitted with an Electronic Safety Control (ES). This is a safety device which switches the heater off if, for any reason, the appliance overheats. The overheating is indicated by a fast flashing red light. The ES control can only be re-set after the appliance has cooled down. In order to re-set the ES control, proceed as follows:

- Switch the appliance off at the mains by using isolator switch and leave to cool down for approximately 5 minutes.
- Switch appliance back on and the ES control will re-set.
- Ensure that the appliance is functioning correctly. If the ES control operates again, the appliance should be checked by a competent electrician.

TO REPLACE A FAN/HEATER ASSEMBLY

- a) Switch off the mains supply
- b) Release the six nuts and washers fixing the fan heater box to the discharge grille
- c) Disconnect the wiring
- d) Remove the fan heater from the box (four screws)
- e) Fit the replacement unit and re-assemble in the reverse order.

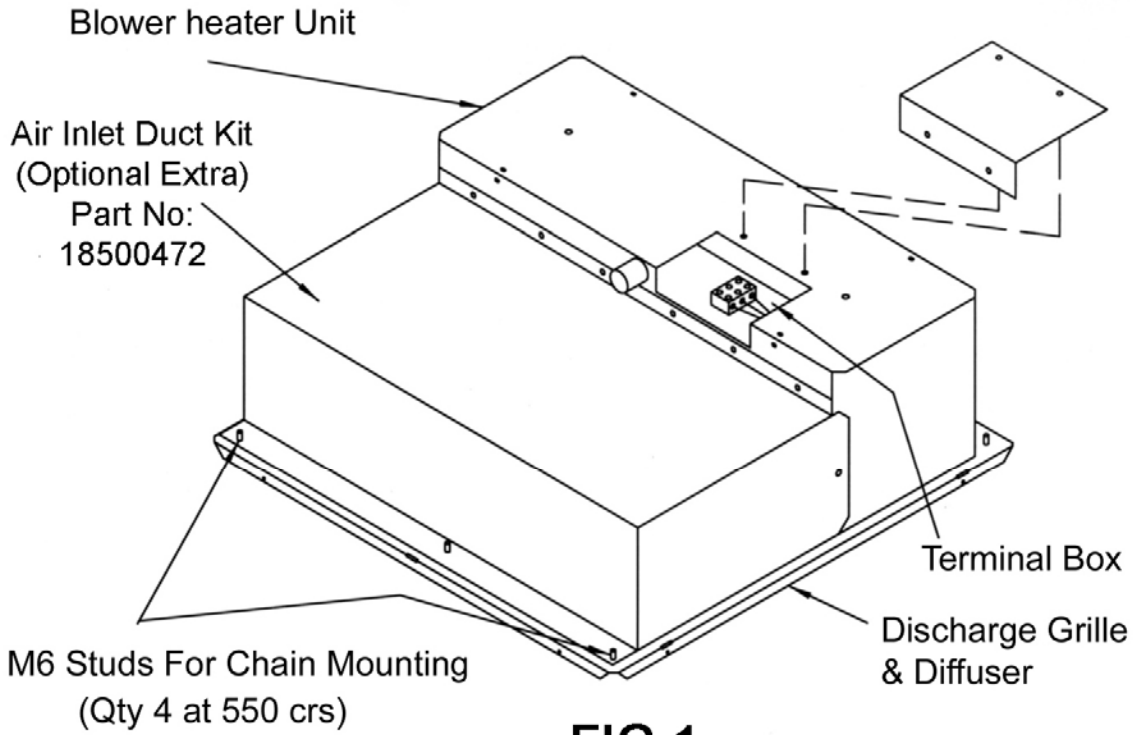


FIG 1

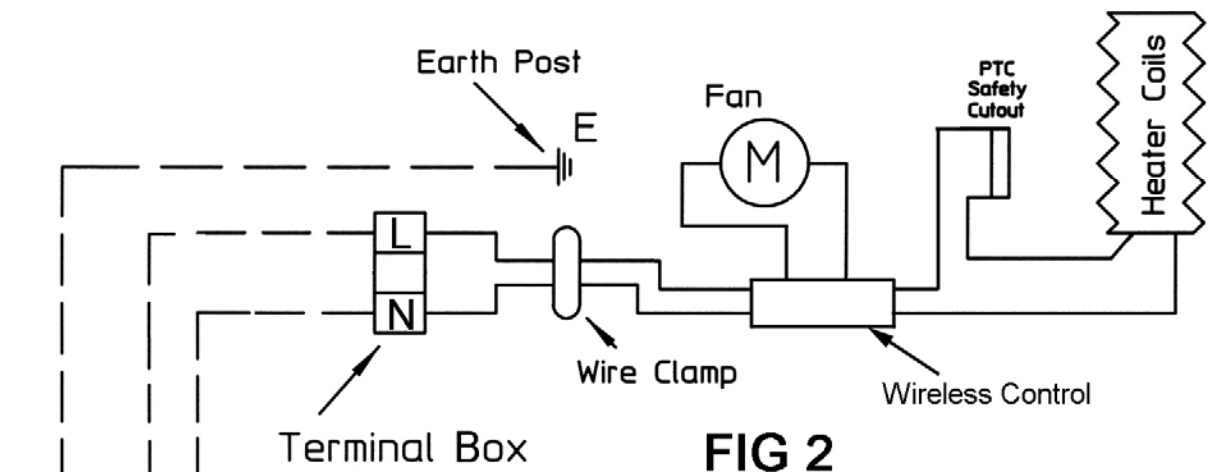


FIG 2

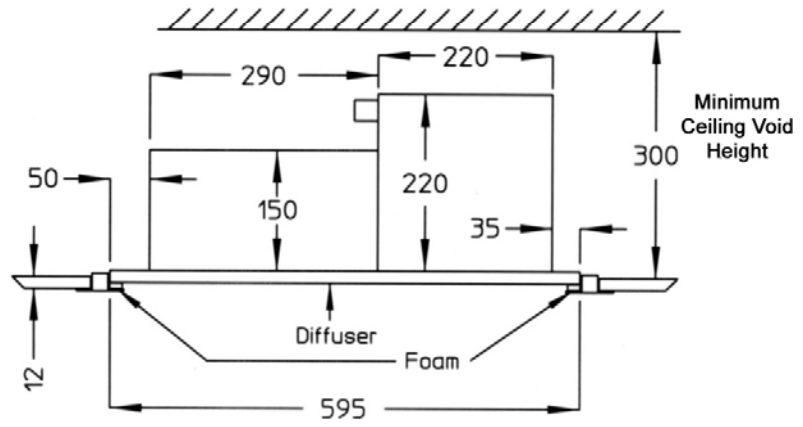
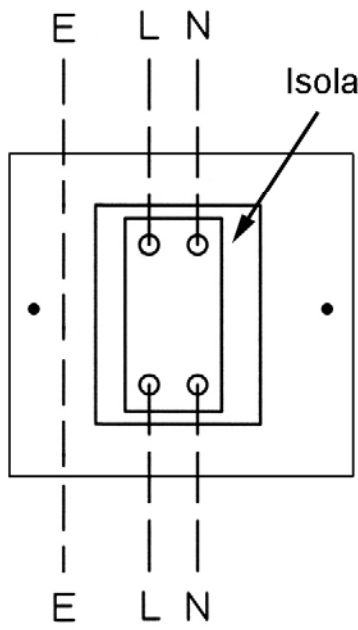


FIG 3