

Oil filled Electric Towel Rails

08/18755/2 Issue 2

Models : HSTRC90C, HSTRS120W, HSTRC130C, & HSTRS175W

Dimensions

(millimetres)

Model	Watts	A	B (mm)	C	D
HSTR90C	60	615	530	195	295
HSTR120W	120	615	530	195	295
HSTR130C	90	850	530	180	290
HSTR175W	175	850	530	180	290

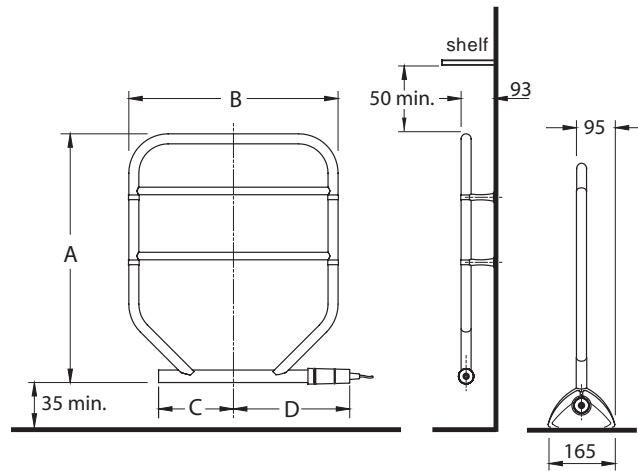


Fig. 1

THESE INSTRUCTIONS SHOULD BE READ CAREFULLY AND RETAINED FOR FUTURE REFERENCE.

Important Safety advice

WARNING - THE SURFACE OF THIS RADIATOR CAN BE HOT.

In order to be effective the towel rail will get hot, however momentary contact with any part of it should not cause injury.

CAUTION - This appliance is not intended for use by children or other persons without assistance or supervision if their physical, sensory or mental capabilities prevent them from using it safely. Children should be supervised to ensure that they do not play with the appliance.

Precautions should be taken to ensure that prolonged contact with the towel rail cannot occur. Particular care should be taken in confined areas where accidental prolonged contact with the rail could be more likely to occur.

IMPORTANT - If the towel rail is to be installed in a place used by the public, a warning notice should be placed adjacent to the rail advising that the surface can be hot.

WARNING - This appliance must not be located immediately above or below a fixed socket outlet or connection box.

General

Your Heatstore permanently oil-filled electric towel rail has been designed to provide an all-the-year-round service for airing towels and articles of clothing. It is not intended to provide a sole heating service, but the larger models will take the chill off a normal size bathroom or toilet.

All models are splash proof.

Use

Your Heatstore oil-filled electric towel rail can quite safely be left on continuously if desired without detrimental effect. When in use however no more than two layers of towelling or similar fabric should be draped over each rail. It is not advisable to leave very damp clothes or towels on the rail

when it is not in use, as this may affect the finish.

The rail when in use, though hot to the touch, is not hot enough to scorch or burn towels or clothes. However, soap and detergents remaining in articles after washing can cause what appear to be scorch marks after being in contact with a hot rail. Care should be taken therefore to thoroughly rinse out all articles before airing.

Electrical


The electrical installation of this towel rail must be carried out by a competent electrician in accordance with the current I.E.E Regulations for Electrical Equipment. The towel rail is suitable for use on an A.C.~ electrical supply. Before installation check that the supply voltage corresponds with that marked on the rail.

WARNING - THIS APPLIANCE MUST BE EARTHED.

IMPORTANT - The wires in the mains lead are coloured in accordance with the following code:

GREEN and YELLOW - EARTH
BLUE - NEUTRAL
BROWN - LIVE

As the colours of the wires in the mains lead of this appliance may not correspond with the coloured markings identifying the terminals in your plug, proceed as follows:

The wire which is coloured GREEN and YELLOW must be connected to the terminal in the plug which is marked with the letter E or by the earth symbol  or coloured green or green and yellow.

The wire which is coloured BLUE must be connected to the terminal which is marked with the letter N or coloured black.

The wire which is coloured BROWN must be connected to the terminal which is marked with the letter L or coloured red.

This appliance must only be used on A.C. mains supply of 230/240 Volts~.

Installation

The towel rail must be permanently fitted to the wall.

All models are supplied with wall brackets. The towel rail must be mounted so that the top rail is horizontal and at least 50mm below any overhanging surface. The bottom horizontal tube should at least 35mm above the floor - see Fig. 1.

Wall mounting

The Wall mounting accessory pack contains:

- (a) 4 mounting straps
- (b) 4 screws (M4 x 10)
- (c) 4 wall mounting brackets
- (d) 4 locator pins

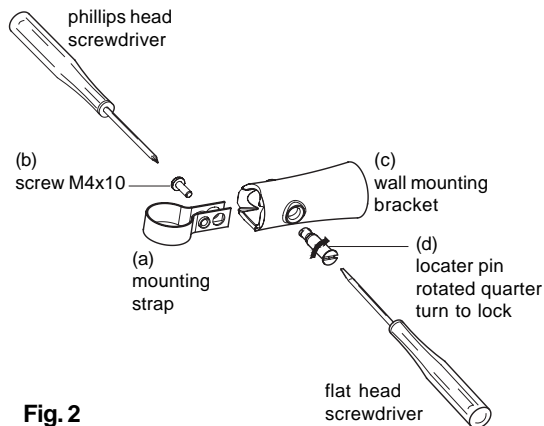


Fig. 2

Procedure for fixing Wall Brackets

Step 1

Using Dim. X and Dim. Y as a guide, mark the hole positions for the four fixing brackets and drill and plug the wall to suit. Note: Allow enough room above and below for the clearance stated. Screw the four fixing brackets securely to the wall - see Fig. 3.

Wall bracket Fixing Dimensions

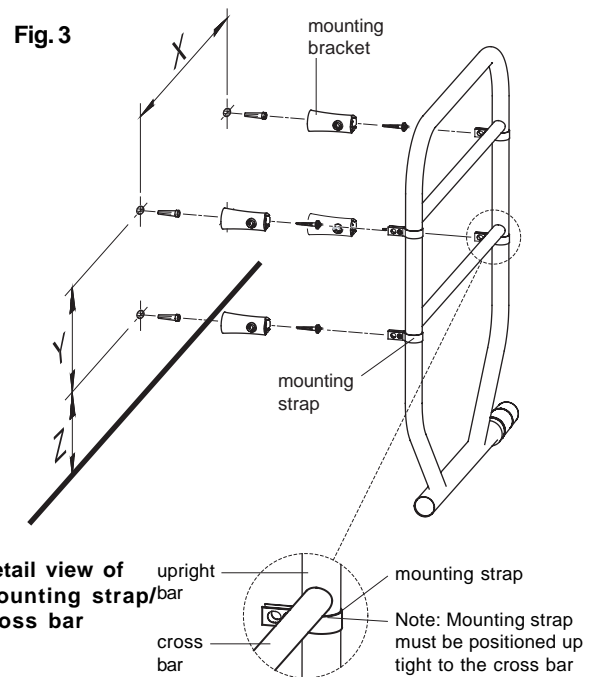
Model(s)	Dim. X	Dim. Y	Dim. Z
HSTR90C	505	165	265
HSTR120W	505	165	265
HSTR130C	505	230	415
HSTR175W	505	230	415

Step 2

Place carefully around the upright bars the 4 mounting straps at the position shown - see Fig. 3. (Note the straps must be positioned up tight to the cross bar as indicated) Securely fix them by screwing in place fully the M4 x 10mm screw. Ensure the brackets are fitted with the rear of the straps facing directly backwards.

Step 3

Place the towel rail straps into the wall mounted brackets, secure them with the locator pins by inserting it and giving it a quarter turn - see Fig 3. Check the four brackets and towel rail are fitting horizontal. If not go back to step 2. The straps can be repositioned to ensure that the towel rail is horizontal when fitted to your wall. If the towel rail cross rails are not level, loosen both straps on either left or right hand upright bar. Lower the two straps and raise up the towel rail until it is horizontal, then secure as indicated in step 2 and 3.



To replace Cable

To gain access to the terminals first remove the two screws holding the cover in position. These screws are on top and underneath. Remove the screw from the bottom moulding. Remove the top cover with the neon lens and connect the wires as shown in Fig. 4 below.

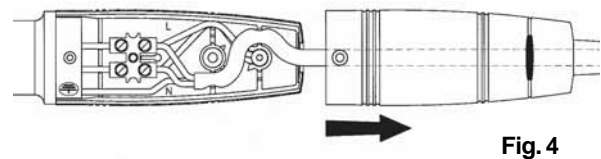


Fig. 4

Cleaning

The finish on your towel rail can be maintained by occasionally wiping over with a damp cloth and lightly finishing with a soft dry cloth. This should only be carried out when the rail is cold. **Do not** use abrasive cleaning powders as this could damage the surface finish.

After Sales Service

Your appliance is guaranteed for one year from the date of purchase. We undertake to repair or exchange free of charge within this period any part found to be defected due to a manufacturing fault. This guarantee in no way prejudices your rights under common law and is offered in addition to consumers statutory rights. If your appliance requires service or does not seem to be working correctly, please return it to your supplier or telephone Heatstore on : 01179 235375.

Please do not initially return a faulty appliance or part of an appliance to us as this may result in transit damage and / or delay in providing service. Let us know your difficulty quoting the model number and series letter of the appliance. We will then take the appropriate action.

Please retain your receipt as proof of purchase.



The product complies with the European Safety Standards EN60335-2-30 and the European Standard Electromagnetic Compatibility (EMC) EN55014, EN60555-2 and EN60555-3 which cover the essential requirements of EEC Directives 73/23 and 89/336

HEATSTORE



Made in Ireland



4D SEVERNSIDE INDUSTRIAL ESTATE
ST. ANDREWS ROAD,
AVONMOUTH
BS119YQ
Tel. - 01179 235375